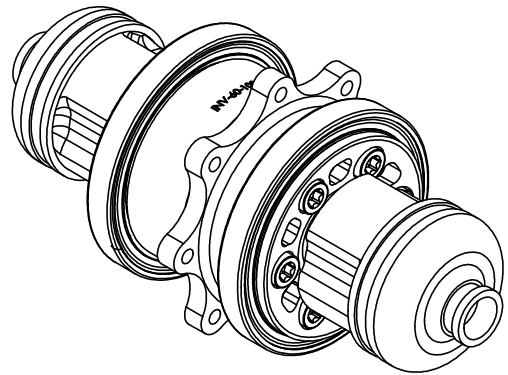
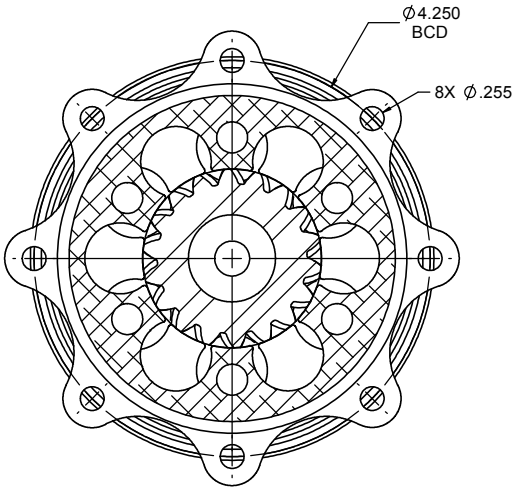
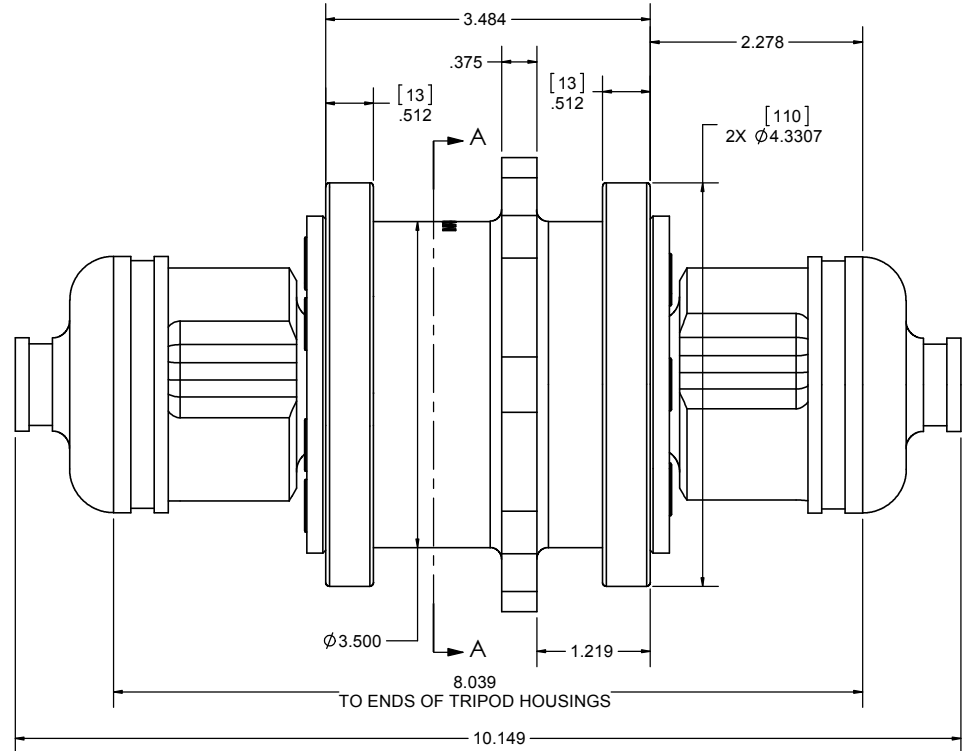
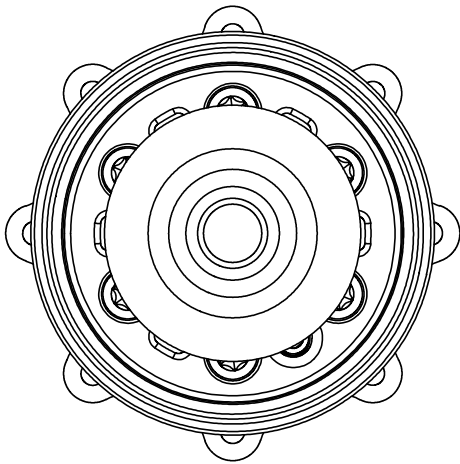


8 7 6 5 4 3 2 1

NOTES: UNLESS OTHERWISE SPECIFIED:

1. INSTALLATION PRINT INTENDED SOLELY FOR USER INFORMATION TO CONCEPTUALLY DESIGN INTO VEHICLE
2. TRIPOD HOUSINGS REQUIRE USE OF SMALL TRE TRIPOD, P/N INV-02002011, PURCHASED SEPARATELY

REVISIONS				
ZONE	REV.	DESCRIPTION	DATE	APPROVED



SECTION A-A

	NAME	DATE
DRAWN		
CHECKED		
APPROVED		
THIRD ANGLE PROJECTION		

Taylor
RACE ENGINEERING www.taylor-race.com

UNLESS OTHERWISE SPECIFIED:
INTERPRET GD&T PER ASME Y14.5M-2009
DIMENSIONS ARE IN INCHES:
DIMENSIONS IN [XX] ARE MILLIMETERS
BREAK ALL SHARP EDGES 0.005-0.015
RADIUS INSIDE CORNERS 0.032 MAX
SURFACE TEXTURE: 63 µin MAX
TOLERANCES:
LINEAR: ± 0.005 ANGLES: ± 1.0°
MATERIAL:
FINISH:

TITLE:
**TRE CHAIN DRIVE DIFF MK II
INSTALLATION PRINT**

PROPRIETARY AND CONFIDENTIAL
THE INFORMATION CONTAINED IN THIS DRAWING IS THE SOLE PROPERTY OF TAYLOR RACE ENGINEERING, LLC. ANY REPRODUCTION IN PART OR AS A WHOLE WITHOUT THE WRITTEN PERMISSION OF TAYLOR RACE ENGINEERING, LLC IS STRICTLY PROHIBITED.

SIZE **B** DWG. NO. INV-06-10006-Installation Print
SCALE: 3:4 WEIGHT: 8.5 lbs SHEET 1 OF 1

8 7 6 5 4 3 2 1